



# 规格书

## Specification

型号/Part Number: S01-T35FBXX-RXXX-11

产品/Product: 3535 1W 2V 350 mA

编号/Serial number: \_\_\_\_\_

发行日期/Issue Date: 2018-04-18

新月光电审核 Crescent approval			客户审核 Client approval	
核准 Approval	确认 Audit	制作 Confirmation	核准 Approval	确认 Audit
			接受 <input type="checkbox"/> Qualified	不接受 <input type="checkbox"/> Disqualified
原因/ Reason:				



### ● 目录：（Content）

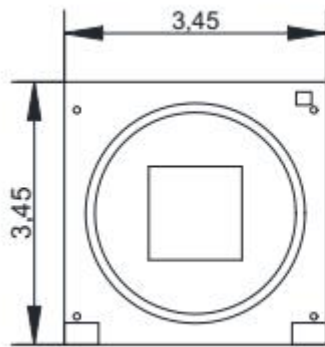
◆ 封面:( Cover) -----	PAGE: 1 OF 12
◆ 产品简介(Product introduction)-----	PAGE: 2 OF 12
◆ 外形尺寸图(Outline Dimensions) -----	PAGE: 3 OF 12
◆ 产品编码解说及光电参数 : Electrical-Optical Characteristics -----	PAGE: 3-4 OF 12
◆ 色区分 BIN 及色温坐标 : (Intensity Bin Limit) -----	PAGE: 5 OF 12
◆ 光电特性曲线图 : (Optical Characteristics) -----	PAGE: 7 OF 12
◆ 信赖度测试项目及标准: (Test items and results of reliability) .....	PAGE: 8 OF 12
◆ 包装规范 : (Packing) -----	PAGE: 9 OF 12
◆ 产品使用说明及注意事项:(Usage and Handling Instructions) .....	PAGE: 10-12 OF 12

### ● 特性：（Features）

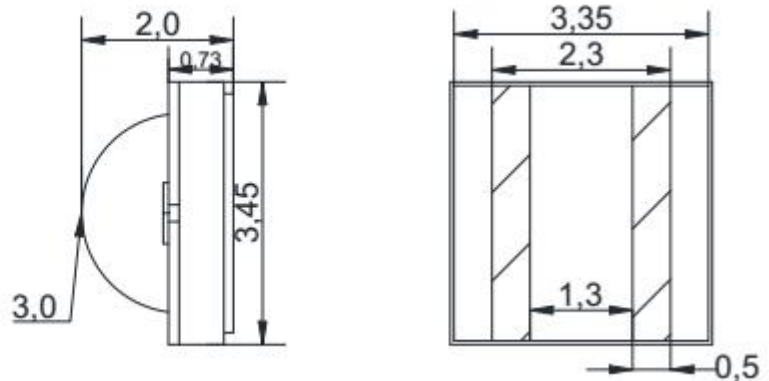
- ◆ 3.45 长\*3.45 宽\*0.6 高 : (3.45mm\*3.45mm \*0.6mm SMT LED Thickness. )
- ◆ 角度: 120 度 : ( View Angle: 120° )
- ◆ 包装: 1000/一盒 : (Package: 1000PCS/Package )
- ◆ 晶片: 红光(AIInGap) : (Dice:Red (AIInGap) )
- ◆ 工作温度: -40~80 度 : ( Operating Temperature:-40~+80℃)
- ◆ 焊接温度: 260 度 10 秒: (Soldering Temperature: 260for10sec℃)
- ◆ 超大功率 : (Super High Power Consumption)
- ◆ 可做不同的种类: ( Various Colors And Types Available.)
- ◆ 胶水: 硅胶 : (Resin(Mold):Silicone)
- ◆ 反向电压 5V : (Reverse Voltage:5V)
- ◆ 储存温度-40~+100 度 : (Storage Temperature:-40~+100℃)
- ◆ 脉冲电流 350mA 注: 脉冲宽度 0.1mS 占空比 1/10  
Pulsed Forward Current 350mA (Duty 1/10,Pulse Width 0.1mS.)

## ● 尺寸图：（Outline Dimensions）

封装尺寸  
Package Dimensions



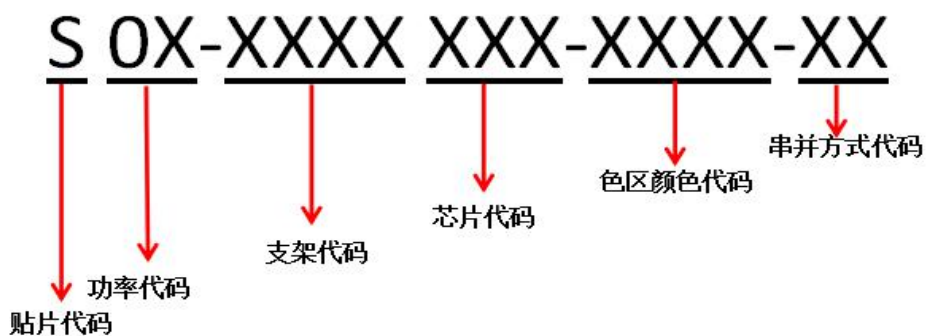
建议焊盘尺寸图  
Recommended Soldering Pattern



### 备注：(Notes:)

1. 所有标注尺寸单位为毫米  
All dimension units are millimeters.
2. 除特别标注外，所有尺寸允许公差±0.15mm  
All dimension tolerance is ±0.15mm unless otherwise noted.

## ● 产品编码解说：（Product Definition Code）





# 新月光电（深圳）股份有限公司

## SHENZHEN CRESCENT OPTOELECTRONIC CO., LTD

### ● 光电参数（温度=25℃）： (Electrical-Optical Characteristics)

项目名称 Parameter	符号 Symbol	数值 Value			单位 Unit	测试条件 Test condition
		Min	Typ	Max		
正向电压 Forward Voltage	Vf	1.4	---	2.4	V	If=350mA
波长 Wave length	$\lambda d$	840	---	855	nm	If=350mA
光效 luminous efficacy of light source	$\phi$	30	---	50	Lm/W	If=350mA
反向电流 Reverse Current	Ir	---	---	10	uA	Vr=5V
全视角 Viewing angle	2 $\theta$ 1/2	---	120	---	Deg	If=350mA
晶片节温 Junction temperature	Tj	---	---	115	°C	If=350mA
抗静电 Antistatic ability	ESD	2000V				

### ● 最大限度值 (Absolute Maximum Ratigs) TA=25±5℃

项目 Item	符号 Symbol	最大额定值 Absolute Maximum Ratig	单位 Unit
正向电流 Forward Current	IF	≦700	mA
正向峰值电流 Pulse Forward Current	IFP	840	mA
反向电压 Reverse Voltage	VR	5	V
功率消耗 Power Dissipation	PD	3	W
工作温度 Operating Temperature	Topr	-40°C TO +85°C	°C
贮藏温度 Storage Temperature	Tstf	-40°C TO +85°C	°C
焊接温度 Soldering Temperature	Tsld	Roflow Soldering:260°C Hand Soldering:300°C	For10sec for 3sec

Address: Building 12. shiguan industrial park, goming town, guangming new district, Shenzhen, China

Telephone: 0755-23429753

www.crescentled.com

PAGE 4 OF 12



## ● 电压分级规格：（ Opto-Electrical Grading Specification）

电压等级 Voltage Grade	B	C	D	E	F
分级参数 Grade standard	1.4-1.6V	1.6-1.8V	1.8-2.0V	2.0-2.2V	2.2-2.4V

备注:[Note]:

\*测试温度=25°C      Test Temperature=25°C

\*正向电流=350mA      Forward current=350mA

## ● 分 BIN 参数：（Color Coordinate Comparison）

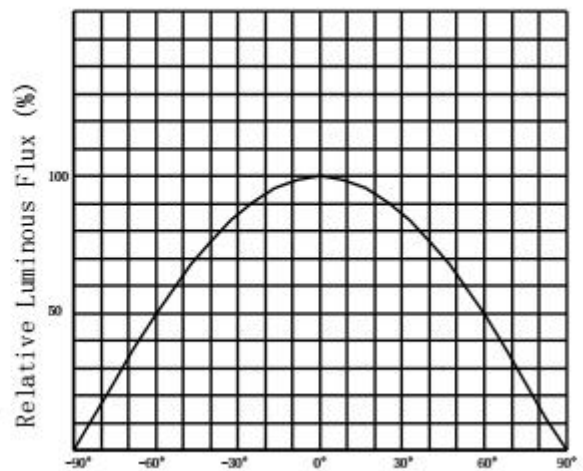
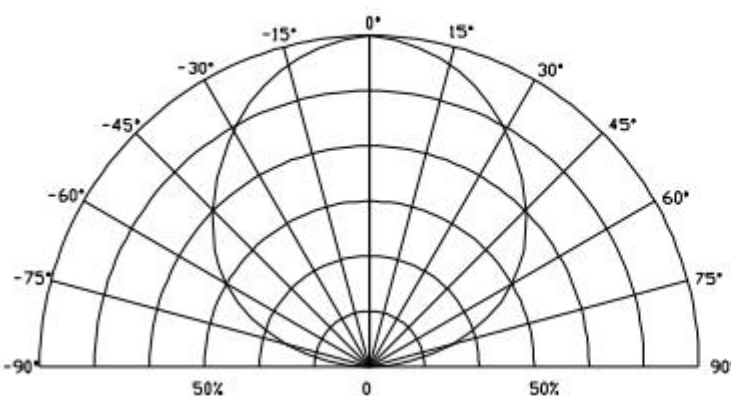
光通量 Luminous Flux	B	C	D	E	F
分级参数 Grade standard	25-35	35-45	45-55	/	/
波长 Wave length	B	C	D	E	F
分级参数 Grade standard	840-845	845-850	850-855	/	/

备注[Note]:

\*光功率（mW）±10%      Luminous power(mW) 10%

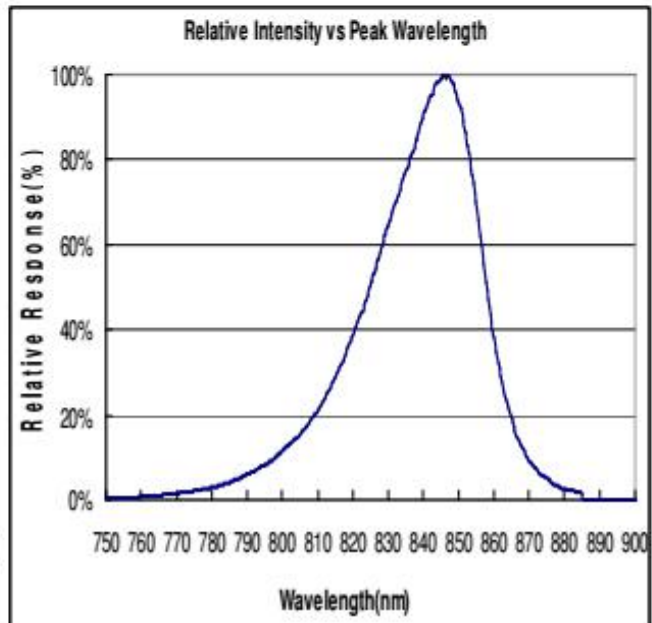
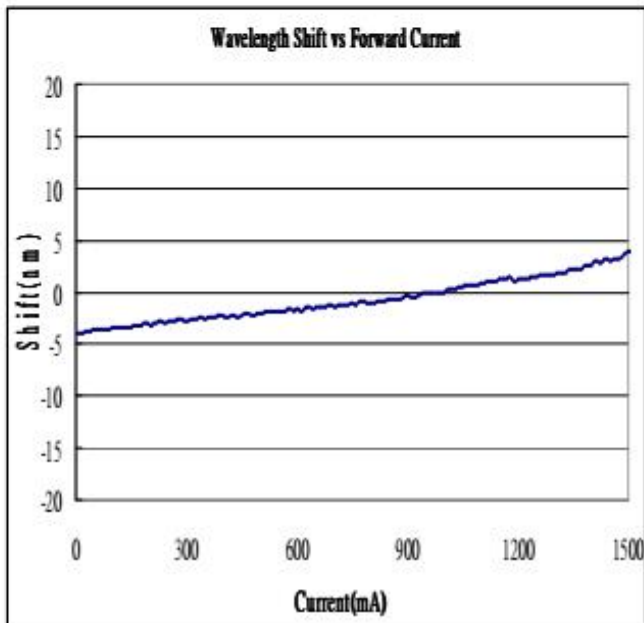
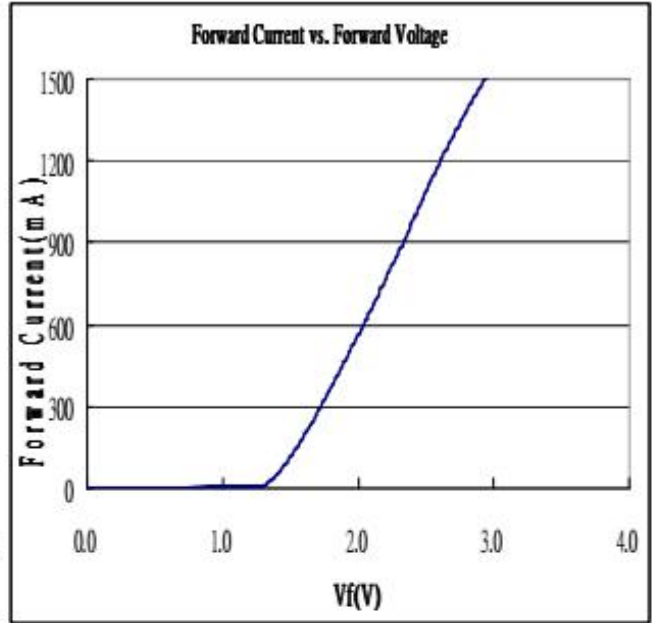
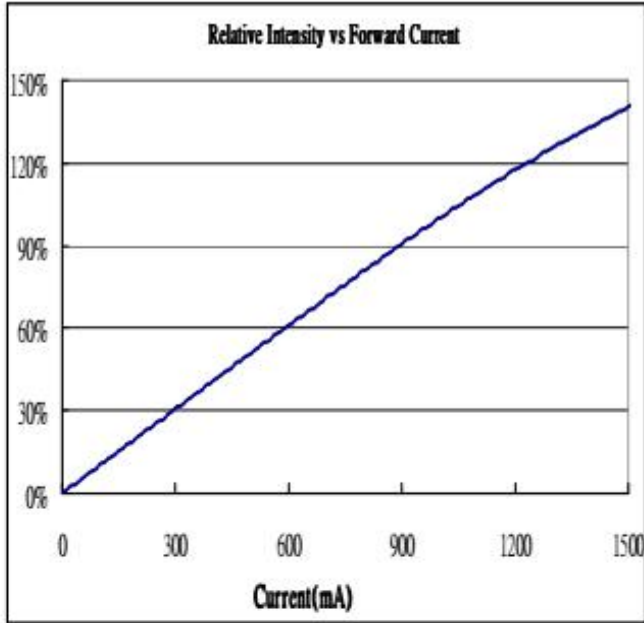
\*正向电压±0.05      Forward Voltage (VF)0.05V

## Radiation Pattern 辐射模式





● 典型光学特性曲线： (Typical optical characteristics curves)





# 新月光电（深圳）股份有限公司

## SHENZHEN CRESCENT OPTOELECTRONIC CO., LTD

### ● 信赖性测试项目及标准： (Test items and results of reliability)

测试项目 Test Item	测试条件 Test Conditions	持续周期 Duration/Cycle	破坏数量 Number of amage	参考 Reference
温度循环 Temperature	-40℃ 30min ↑ ↓ 25℃ (2min) 100℃ 30min	循环 100 次	0/100	JEITA ED-4701 300 303
冷热冲击 Thermal Shock	-40℃ 30min ↑ ↓ 5sec 110℃ 30min	循环 100 次	0/100	JEITA ED-4701 200 303
高温储存 High Temperature Storage	Ta=100℃	1000 小时	0/100	EIAJED-4701 200 201
高温高湿 Humidity Heat Storage	Ta=85℃ RH=85%	1000 小时	0/100	EIAJED-4701 100 103
低温储存 Low Temperatue Storage	Ta=-40℃	1000 小时	0/100	EIAJED-4701 200 202
常温老化 Life Test	Ta=25℃ If=350mA	1000 小时	0/100	Tested with Runlite standard
高温高湿老化 High Humidity Heat Life Test	60℃ RH=90% If=350mA	1000 小时	0/100	Tested with Runlite standard
低温老化 Low Temperature Life Test	Ta=-40℃ If=350mA	1000 小时	0/100	Tested with Runlite standard
静电放电人体模式 ESD (HBM)	1KV at 1.5KΩ; 100pF	3 次	0/100	MIL-STD-883D

### ● 失效判断标准： (Criteria for judging the Damage)

项目 Item	符号 Symbol	条件 Condition	失效判断标准 Criteria for Judgement	
			下限 MIN	上限 MAX
正向电压 Forward Voltage	VF	If=350mA	---	USL*1×1.1
发光强度 Luminous Intensity	Iv	If=350mA	LSL*2×0.7	---

备注: [Note]:

\*USL: 标准上限值

U.S.L: Upper standard level

\*LSL: 标准下限值

Lower Specification Level

Address: Building 12. shiguan industrial park, goming town, guangming new district, Shenzhen, China

Telephone: 0755-23429753

www.crescentled.com

PAGE 7 OF 12



# 新月光电（深圳）股份有限公司

## SHENZHEN CRESCENT OPTOELECTRONIC CO., LTD

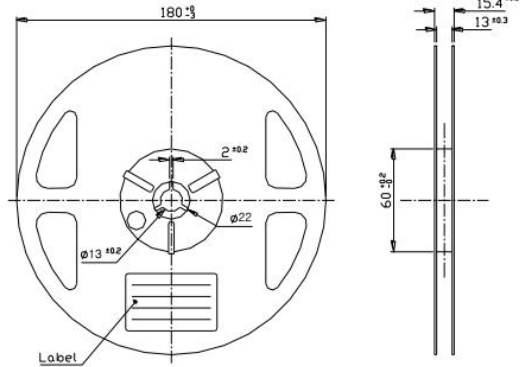
### ● 包装规格 (Packing Specification)

◇ 标签: (Label)

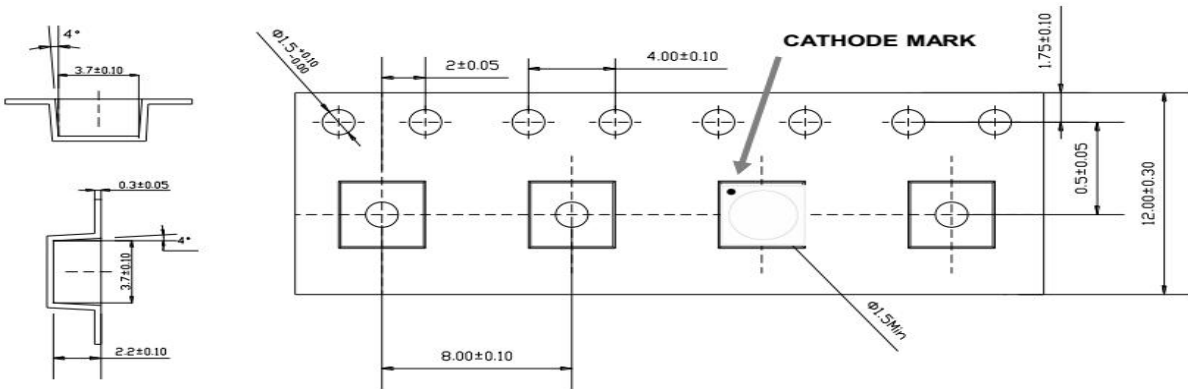
卷轴尺寸: (Reel Dimensions)

新月光电(深圳)股份有限公司  
Cescent photoelectric(Shen zhen) co.,LTD

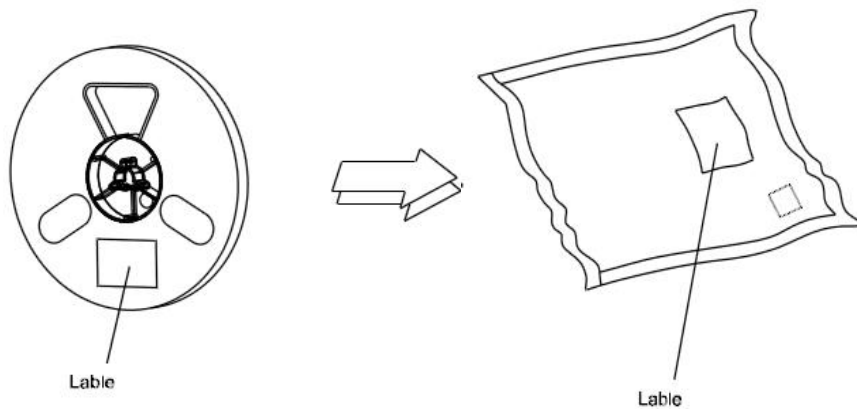
XY-PN	<b>XY-T35-5W</b>	<b>RoHS</b>
XY-TYPE	<b>S05-T35F-**-***_**</b>	
VF(V)		$\Phi$ (Im)
TC (K)		<b>BIN</b>
Ra		IF(mA)
<b>QC</b>		QTY(PCS)



◇ 载带规格 (单位: mm): (Tape Specifications (Units : mm))



◇ 防潮带包装: (Moisture Resistant Packaging)

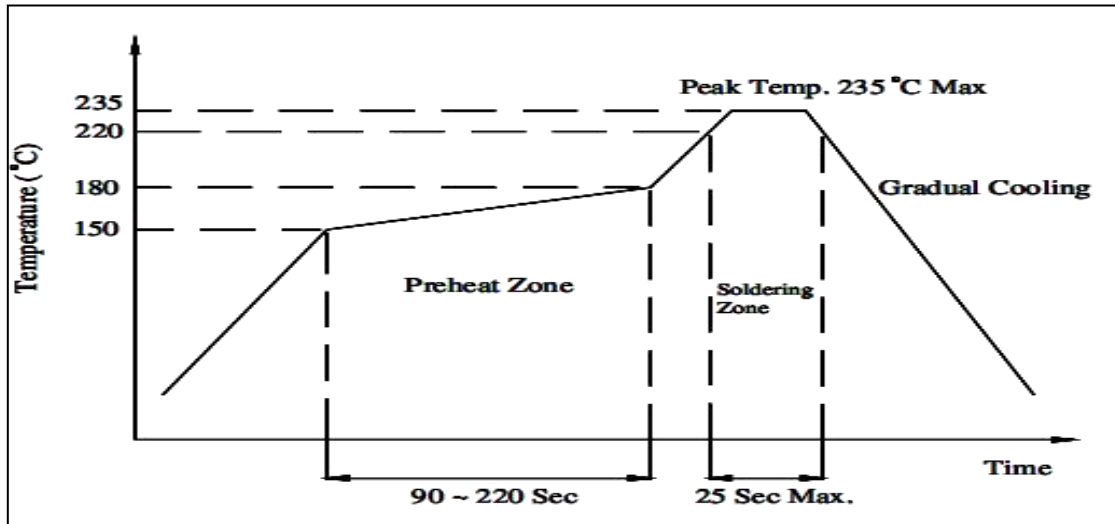


注: 标注公差为±0.1mm, 单位: mm : (Note: The tolerances unless mentioned is ±0.1mm, Unit: mm)

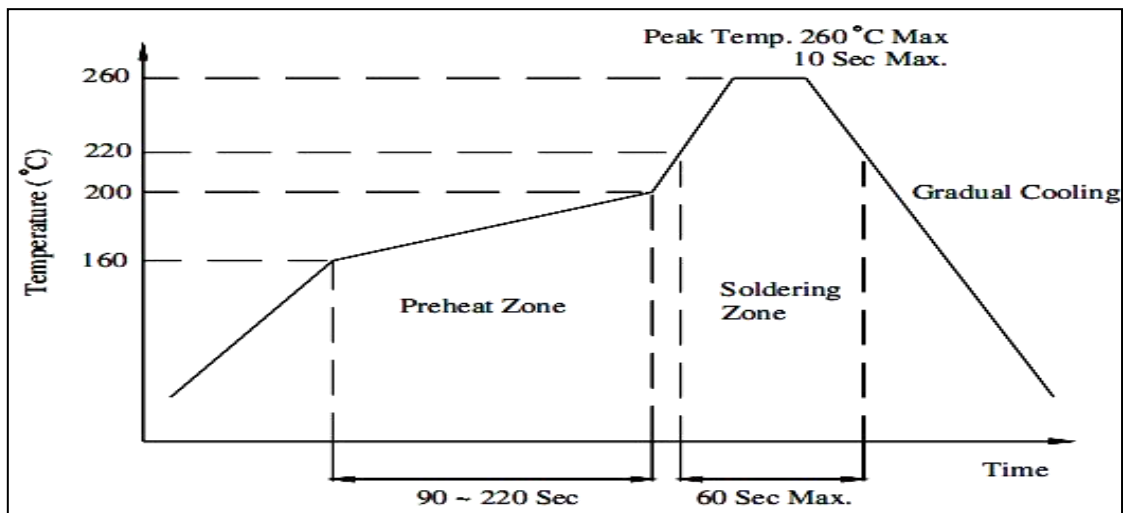


## ● 回流焊接曲线图 (IR reflow soldering Profile)

### ◇ 有铅焊接 (Lead solder)



### ◇ 无铅焊接 (Lead Free solder)



注意: (NOTES: )

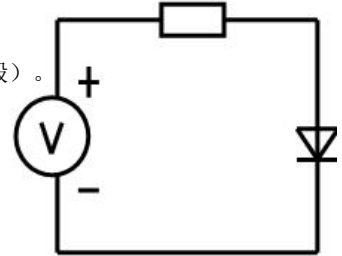
1. 我们建议的回流焊温度为  $240^{\circ}\text{C} \pm 5^{\circ}\text{C}$ ，最高的焊接温度要控制在  $260^{\circ}\text{C}$  以内。  
We recommend the reflow temperature  $240^{\circ}\text{C} \pm 5^{\circ}\text{C}$ . the maximum soldering temperature should be limited to  $260^{\circ}$
2. 当产品在处在高温状态中时不要对其硅胶施加压力。  
Don't cause stress to the silicone resin while it is exposed to high temperature.
3. 回流焊的次数应小于两次。  
Number of reflow process shall be 1 time.

## ● 产品使用注意事项：（Handling Precautions）

### ◇ 测试电路：（ Test circuit）

#### ➢ 防止超过额定电流：（Over-current-proof）

用户必需加串电阻保护，否则有轻微电压变化，将造成很大的电流变化（产品会被烧毁）。  
Customer must apply resistors for protection; otherwise slight voltage shift will cause big current change (Burn out will happen).



### ◇ 采用恒流电源：（The constant current power supply:）

#### ➢ 建议用户采用恒流源驱动测试 LED。

Users are suggested the constant current source driver testing led.

### ◇ 其它注意事项：（Other points for attention:）

#### 1、当 SMD LED 暴露在高温状态下时，请注意不要按压其胶体部分。

No pressure should be exerted to the epoxy shell of the SMD under high temperature.

#### 2、注意不要使用硬物和带尖锐边的物体刮、擦 SMD LED 的胶部分。

Do not scratch or wipe the lens since the lens and gold wire inside are rather fragile and cross out easy to break.

#### 3、在下次使用前重复前面的除湿动作，用于手动作业的散装 LED 使用前必须除湿。

LED should be used as soon as possible when being taken out of the original package, and should be stored in anti-moisture and anti-ESD package.

#### 4. 不可将模组材料堆积在一起，它可能会损坏内部电路

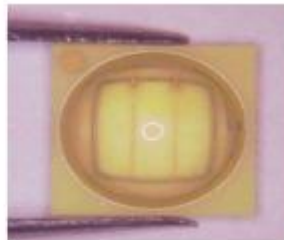
Do not stack together assembled PCBs containing LEDs. Impact may scratch the silicone lens or damage the internal circuitry



OK



NG



OK



NG

### ◇ 储藏：（Storage）

#### 1. 建议把产品储藏于以下的条件:相对湿度: 60%（最大）温度: 5℃~30℃ (41°F~86°F)

It is recommended to store the products in the following conditions: Humidity: 60% R.H. Max.  
Temperature : 5~30 (41~86)

#### 2. 在封装袋内的保质期: 在<5℃~30℃ 和<30%R.H（相对温度）的条件下 12月, 打开包装后, 产品需在一个星期内使用, 或者储存于相对湿度≤20%R.H的密封包装中。

Shelf life in sealed bag: 12 month at 5~30 and 60% R.H. after the package is opened, the products should be used within a week or they should be keeping to stored at 20 R.H. with zip-lock sealed.

#### 3. Soldering Iron（烙铁焊接）

##### 1. 当手工焊接时，烙铁的温度必须小于 300℃，时间不可超过 3 秒，

When hand soldering, keep the temperature of iron below less 300℃ less than 3 seconds;

##### 2. 手工焊接只可焊接一次

The hand solder should be done only one times .

#### 4. Repairing（修补）



# 新月光电（深圳）股份有限公司

## SHENZHEN CRESCENT OPTOELECTRONIC CO., LTD

LED回流焊后不应该修复，当修复是不可避免时，必须使用双头烙铁，但必须事先确认此种方式会不会损坏LED本身的特性。

Repair should not be done after the LEDs have been soldered. When repairing is unavoidable, a double-head soldering iron should be used. It should be confirmed in advance whether the characteristics of LEDs will or will not be damaged by repairing.

◇ 烘烤: (Baking)

➤ 包装打开 12 小时后建议在焊接之前对产品进行烘烤，条件如下:

It is recommended to baking before soldering when the pack is unsealed after 12hrs. The Conditions are as followings:

1. 已拆封未使用完的产品（载带中的产品）：70±3℃（12~24 小时）和<5%，  
70±3℃（12~24hrs） and 5%RH, taped reel type.
2. 散装单颗产品：150±3℃（2 小时）。

150±3℃ 2hrs, bulk type

★ 其它注意事项: (Other points for attention)

➤ 1. LED 是静电敏感器件，使用时所有设备、机构都需有适当的接地导电措施。

The LED is an ESD sensitive device. All the equipment and machine must be properly grounded.

➤ 2. 使用时请使用防静电的盛装容器，作业人员应穿着防静电服装及佩戴有绳之静电环并作有效接地。

When make use of it, please use static-free container, operator should wear antistatic clothes and rope-static-ring also should make effective ground.

➤ 3. 受静电与突波破坏之 LED 的电性特性上，会有明显的漏电流，或驱动电压明显变低，甚至是短路现象。

Damaged device will appear some symptoms, lower forward voltage, higher leak current, or even short current.

➤ 4. 上在焊接温度回到正常以前，必须避免使 LED 受到任何震动或外力。

After soldering the LED should keep out off any shake or outer force before it come to normal temperature.

➤ 5. LED 不宜过两次回流焊接，在高温焊接期间，不要在 LED 表面施压。LED 焊接后，不要弯曲线路板。LED 焊接后不宜进行返修，当返修不可避免时，请事先确认返修是否使 LED 的特性受到破坏，再确定是否使用烙铁进行返修。

Reflow soldering should not be done more than two times, when soldering, do not put stress on the LEDs during heating. After soldering, do not warp the circuit board. Repair should not be done after the LEDs have been soldered. When repairing is unavoidable, a double-head soldering iron should be used. It should be confirmed before hand whether the characteristics of the LEDs will not be damaged by repairing.

➤ 6. LED 单向导通性，安装前确认极性，若装反，在施加电压时容易造成 LED 芯片损伤或失效

LED is one-way continuity, please check electrode before mount, if mount wrong, the LED chip will damage or fail when LED applied voltage.

➤ 7. 线路设计时，请尽量避免将 LED 与发热组件靠得过近。

Please design the PCB board to keep a distance between LED and other emit heat component.

➤ 8. 电路设计上，建议以定电流设计，若为定电压设计，请考虑 LED 之间不同正向电压所可能造成之影响。

Strongly recommend design the board according setting current other than setting voltage. if you are really need Setting voltage type please consider there may cause influence arise by difference voltage of difference LED.

➤ 9. LED 之外加电压变化，会造成电流指数级变化，不当之设计与电流控制，易造成 LED 失效，如电流过大引起寿命问题甚至 LED 烧毁，电流过小引起亮度不足。

The outer voltage change will bring the current index change. unsuitable design and current control, easy cause LED fail. for example excess current will cause LED life short or even burn down, too little electricity will cause lacking light.

➤ 10. 不同 BIN 号之 LED 需安装在同一个组件时，请先确认是否可满足相关电气及光学之特性要求，如电流是否均衡，光色、

Address: Building 12. shiguan industrial park, gongming town, guangming new district, Shenzhen, China

Telephone: 0755-23429753

www.crescentled.com

PAGE 11 OF 12



# 新月光电（深圳）股份有限公司

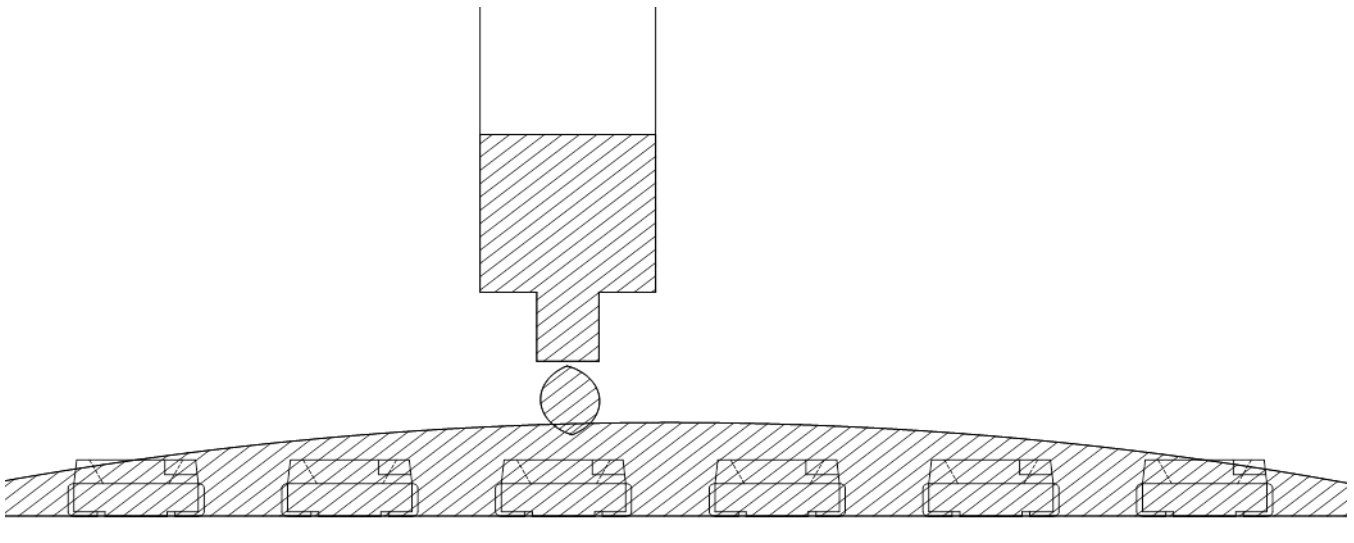
## SHENZHEN CRESCENT OPTOELECTRONIC CO., LTD

亮度一致性等。

If you need make difference BIN LED in the one module . please confirm whether it can meet the electric and optics characteristic require such as the current balance, emitting and brightness consistenc.

- 11.LED 工作环境及与 LED 适配的材料中硫元素及化合物成份不可超过 100PPM;  
LED operating environment and sulfur element composition cannot be over 100PPM in the LED mating usage material.
- 12.当我们需要使用外封胶涂抹 LED 产品时, 应确保外封胶与 LED 封装胶水相匹配, 因为大多数 LED 的封装胶水为硅胶, 它有较强的氧化性和较强的吸湿性, 必须防止外封材质进入 LED 内部以造成 LED 的损伤, 单一的溴元素含量要求小于 900PPM, 单一氯元素含量要求小于 900PPM, 在涂抹 LED 产品时要求外封胶溴元素与氯元素总含量必须小于 1500PPM;

When we need to use external glue for LED application products, please make sure that the external glue matches the LED packaging glue. Additionally ,as most of LED packaging glue is silica gel, and it has strong Oxygen permeability as well as strong moisture permeability; in order to prevent external material from getting into the inside of LED, which may cause the malfunction of LED, the single content of Bromine element is required to be less than 900PPM, the single content of Chlorine element is required to be less than 900PPM, the total content of Bromine element and Chlorine element in the external glue of the application products is required to be less than 1500PPM.



### ◆ Notes（注意）：

- 1、Above specification may be changed without notice. We will reserve authority on material change for above specification.  
以上规格如有变更恕不另行通知, 我司保留对上述材料规格的最终解释权。
- 2、When using this product, please observe the absolute maximum ratings and the instructions for the specification sheets. We assume no responsibility for any damage resulting from use of the product which does not comply with the instructions included in the specification sheets.  
使用本产品前请注意绝对最大额定值范围, 如使用不符合规格要求造成的任何损坏我司不承担任何责任。